

FiD 1.8" SATA D150



Features

- Excellent data transfer speed
- Support Thermal Sensor
- S.M.A.R.T. & i-S.M.A.R.T. supported
- Intelligent system for error recovery
- Mechanical design for anti-vibration

R:130MB/s
W:120MB/s

SATA II
3Gb/s

ECC &
Wear leveling

Thermal
sensor

S.M.A.R.T

Specifications

Connector Type	Standard 7+15 pin SATA connector
Flash Type	SLC (Single Level Cell)
Density	4GB, 8GB, 16GB, 32GB, 64GB
Interface	SATA II 3.0Gb
Sustained R/W Performance	Read : 130 MB/sec (max.) Write : 120 MB/sec (max.)

Environmental

DC Input	+5V DC \pm 5%
Power consumption (Max.)	Read: 200 mA Write: 200 mA Idle: 80 mA
Operating Temperature	0°C~+70°C (Standard Grade) -40°C~+85°C (Industrial Grade)
Storage Temperature	-55°C~+95°C
Humidity	Relative Humidity: 10-95%, non-condensing
Flash Endurance	100,000 program/erase cycles
MTBF	> 3,000,000 hours
Certification	CE, FCC, RoHS
Warranty	5 years

Mechanicals

Dimension (W x L x H)	69.85x50.00x9.00 mm
Weight	57g \pm 5g
Vibration	20G, 7 Hz to 2K Hz, , 3 axes
Shock	1500G, Duration: 10ms, , 3 axes

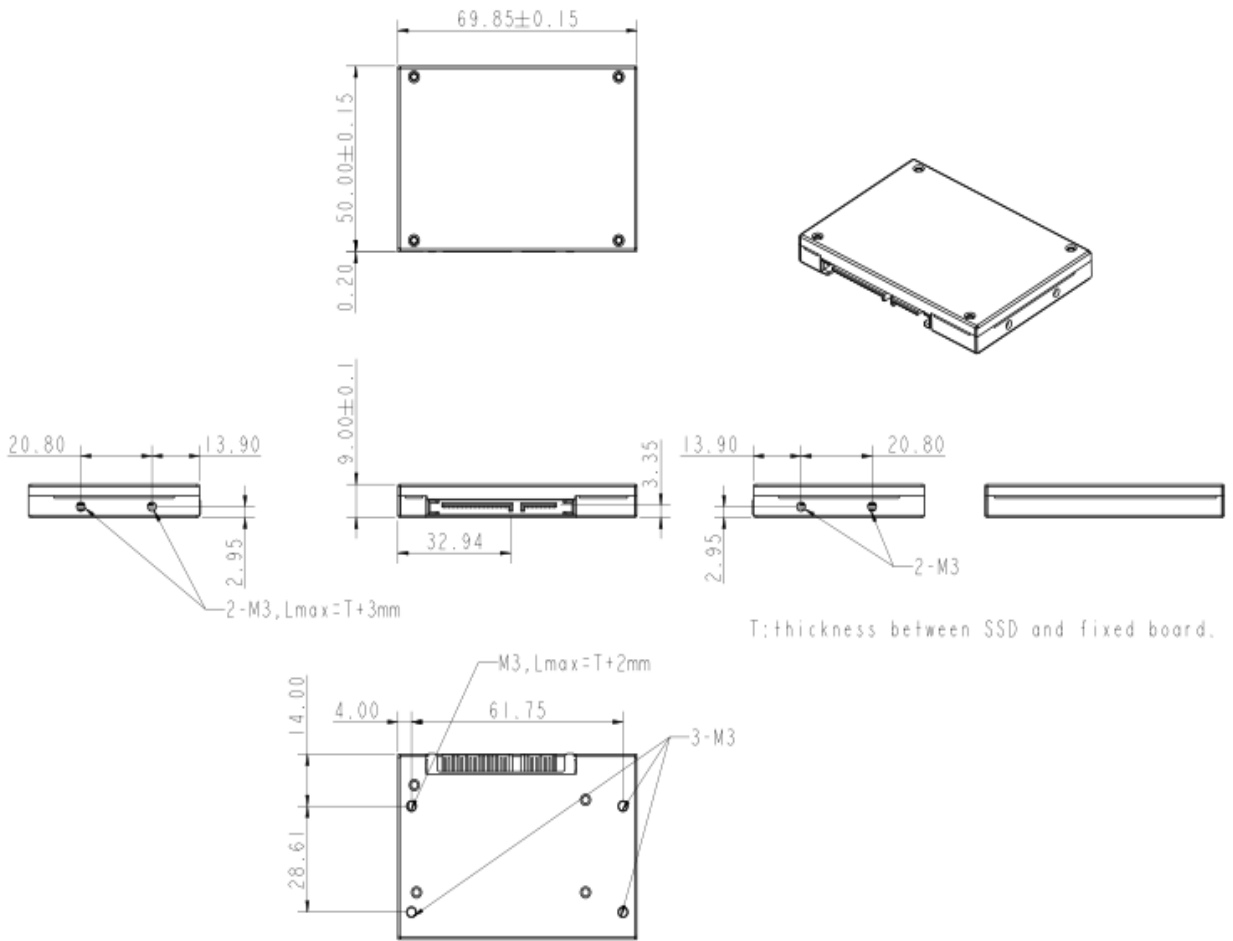
Health monitoring Tool

S.M.A.R.T.	Supported
i-S.M.A.R.T.	Supported (Utility for Windows, Linux)

Ordering Information

Capacity	Standard Grade	Industrial Grade
4GB	D1ST2-04GJ30A <u>C</u> 1QB	D1ST2-04GJ30A <u>A</u> W1QB
8GB	D1ST2-08GJ30A <u>C</u> 1QB	D1ST2-08GJ30A <u>A</u> W1QB
16GB	D1ST2-16GJ30A <u>C</u> 1QB	D1ST2-16GJ30A <u>A</u> W1QB
32GB	D1ST2-32GJ30A <u>C</u> 1QB	D1ST2-32GJ30A <u>A</u> W1QB
64GB	D1ST2-64GJ30A <u>C</u> 1QB	D1ST2-64GJ30A <u>A</u> W1QB

Mechanical Dimension



⚠ Please note that the screw length shall be under-specifications, otherwise disk operation error might be caused because of the over-specification screws.