

Datasheet

MicroSD Card 2.0 series

- SD 2.0 interface
- Support static and global wear leveling algorithm
- Intelligent system for error recovery
- Excellent data transfer speed
- Power cycling enhanced



Introduction

While MicroSD card 2.0 series has been a popular embedded storage device for mobile market, Innodisk has been developing a more reliable MicroSD card that will support ruggedized applications in the embedded fields. Therefore, Innodisk would like to introduce you the industrial-grade MicroSD card built with SLC (Single Level Cell) flash, delivering the most reliable MicroSD card with outstanding performance and excellent endurance.

innodisk

www.innodisk.com

MicroSD Card

2.0 series

Contact us for more information about the MicroSD 2.0 series.

Innodisk is a service-driven provider of industrial embedded flash storage products and technologies, with a focus on the cloud computing, industrial/embedded, and aerospace and defense industries.

Headquarters (Taiwan)

5F., No. 237, Sec. 1, Datong Rd., Xizhi Dist., New Taipei City 221, Taiwan

Tel: +886-2-77033000

Email: sales@innodisk.com

Branch Offices:

USA

usasales@innodisk.com

+1-510-770-9421

Europe

eusales@innodisk.com

+31-(0)40-282-1818

Japan

jpsales@innodisk.com

+81-45-594-7581

China

sales_cn@innodisk.com

+86-755-21673689

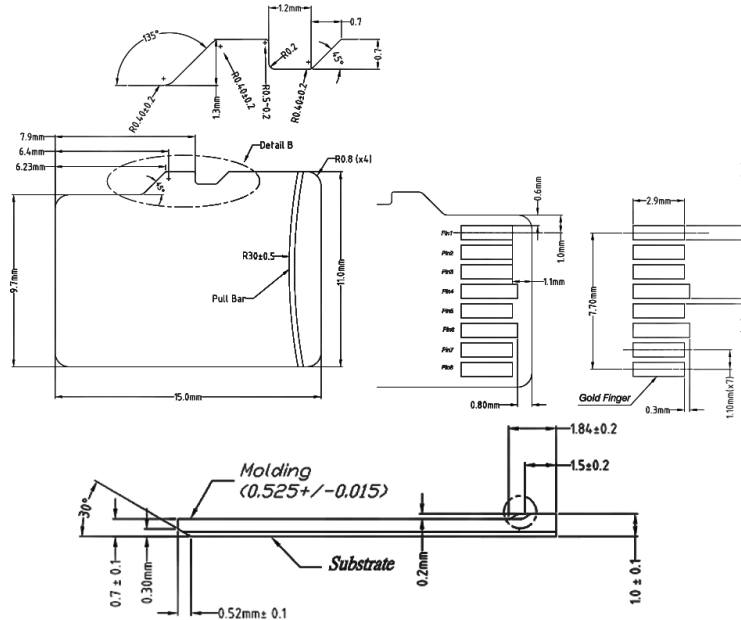
www.innodisk.com

© 2015 Innodisk Corporation.

All right reserved. Specifications are subject to change without prior notice.

2015.10.22

Diagram



Specifications

| | |
|-------------------------------|---|
| Interface | SD 2.0 |
| Flash Type | SLC |
| Capacity | 1GB~8GB |
| Max. Channels | 1 |
| Sequential R/W (MB/sec, max.) | 20/16 |
| Max. Power Consumption | 0.17W (3.3V x 50mA) |
| Dimension (WxLxH) | 11.0 X 15.0 X 1.0 mm |
| Environment | Vibration: 20G @7~2000Hz Shock: 1500G @ 0.5ms Storage Temperature: -55°C ~ +95°C MTBF: 3 million hours |

Ordering Information

| Operation Temp. | 1GB | 2GB | 4GB | 8GB |
|----------------------------------|------------------|------------------|------------------|------------------|
| Standard Grade (0°C ~ +70°C) | DS2M-01GI81AC1SB | DS2M-02GI81AC1ST | DS2M-04GI81AC1ST | DS2M-08GI81AC1ST |
| Industrial Grade (-40°C ~ +85°C) | DS2M-01GI81AW1SB | DS2M-02GI81AW1ST | DS2M-04GI81AW1ST | DS2M-08GI81AW1ST |

innodisk

www.innodisk.com

(ES) Equipements Scientifiques SA - Département Modules & Systèmes Informatiques - 127 rue de Buzenval BP 26 - 92380 Garches
Tél. 01 47 95 99 80 - Fax. 01 47 01 16 22 - e-mail: msi@es-france.com - Site Web: www.es-france.com