



## DLD4300-L / DLO4300-L V1 43" TFT LCD, LED Backlight 2500nits, FHD(1920x1080)

The DLD/DLO4300-L is a 43 inch industrial grade sunlight readable and high brightness 2500 nits and high color saturation, it produce sharp images, crisp text and lifelike colors. The Durapixel LED backlight technology ensures high reliability and low power consumption, suitable for outdoor application, kiosk, factory automation, military, transportation, gaming and medical, application.

### Key Features

- High Brightness 2500 nits
- Sunlight Readable
- LED Backlight
- Low Power Consumption
- LCD Blacking Defect Free (H-Tni 110°C)
- Slim Bezel
- BL MTBF: 100,000 hours



### Specifications

<b>Model Name</b>	<b>DLD4300-L / DLO4300-L V1</b>
<b>Description</b>	43" TFT LCD, LED Backlight 2500 nits, FHD (1920x1080)
<b>Screen Size</b>	43"
<b>Display Area (mm)</b>	941.184(H) x 529.416(V)
<b>Brightness</b>	2500 cd/m <sup>2</sup>
<b>Resolution</b>	1920x1080
<b>Aspect Ratio</b>	16 : 9
<b>Contrast Ratio</b>	1500 : 1
<b>Pixel Pitch (mm)</b>	0.4902(H) x 0.4902(V)
<b>Pixel Pre Inch (PPI)</b>	51
<b>Viewing Angle</b>	178°(H),178°(V)
<b>Color Saturation (NTSC)</b>	80%
<b>Display Colors</b>	16.7M
<b>Response Time (Typical)</b>	12ms
<b>Video Interface</b>	VGA, DVI-D, HDMI, DP
<b>Input Power</b>	AC 100~240V
<b>Power Consumption</b>	189W
<b>Dimensions (mm)</b>	971.6 x 559.8 x 88 & 971.6 x 600.6 x 88.5
<b>Bezel Size(U/B/L/R)</b>	13.2/13.2/13.3/13.3 mm
<b>Weight (Net)</b>	21kg & 22kg
<b>Mounting</b>	100 x 400
<b>OSD Key</b>	4 Keys (Power Switch, Menu, +, -)
<b>OSD Control</b>	Brightness, Color, Contrast, Auto Turing, H/V Position...etc
<b>Operating Temperature</b>	0 °C ~ 50 °C
<b>Storage Temperature</b>	-20 °C ~ 60 °C
<b>Product Approval</b>	CE/FCC

**DLD & DLO= Panel+ LED Driving Board + AD Control Board**

*Specifications are subject to change without notice.*

*All brands or product names are trademarks or registered trademarks of their respective companies.*

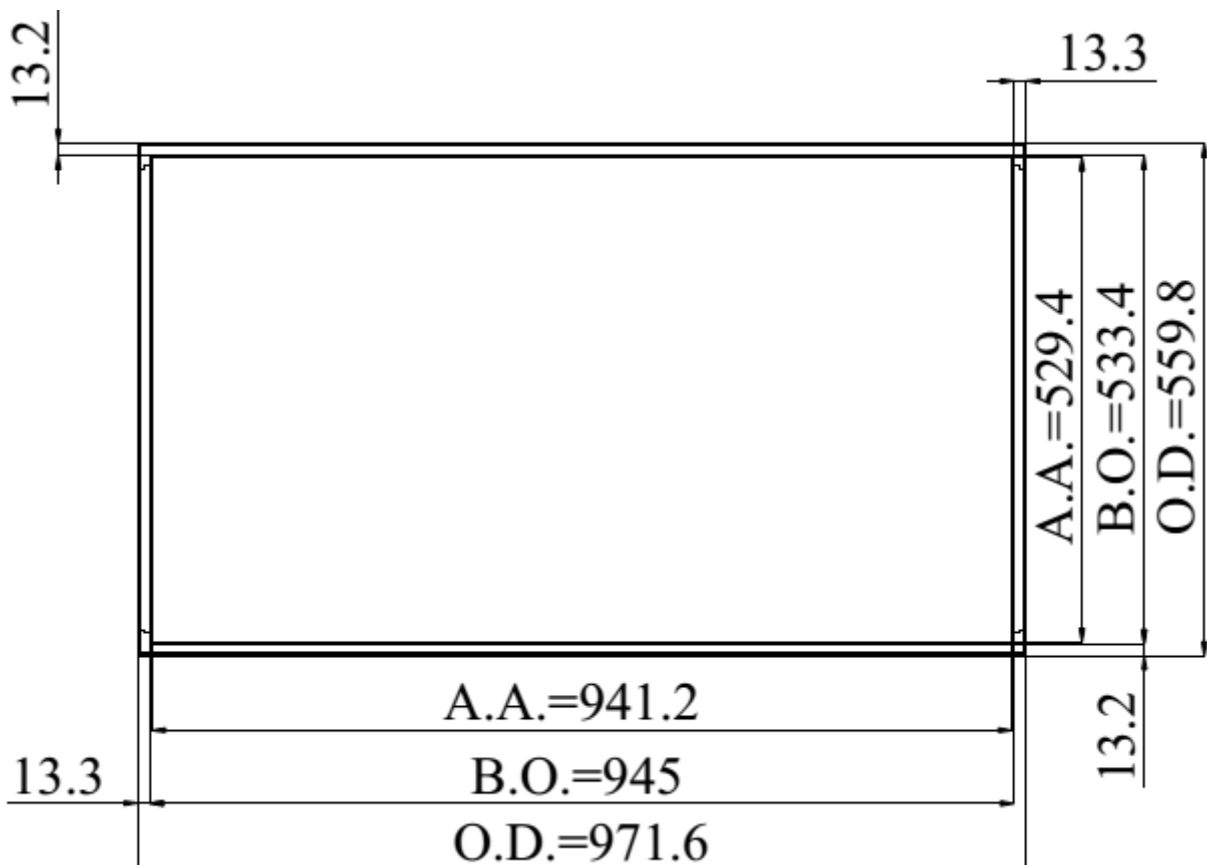
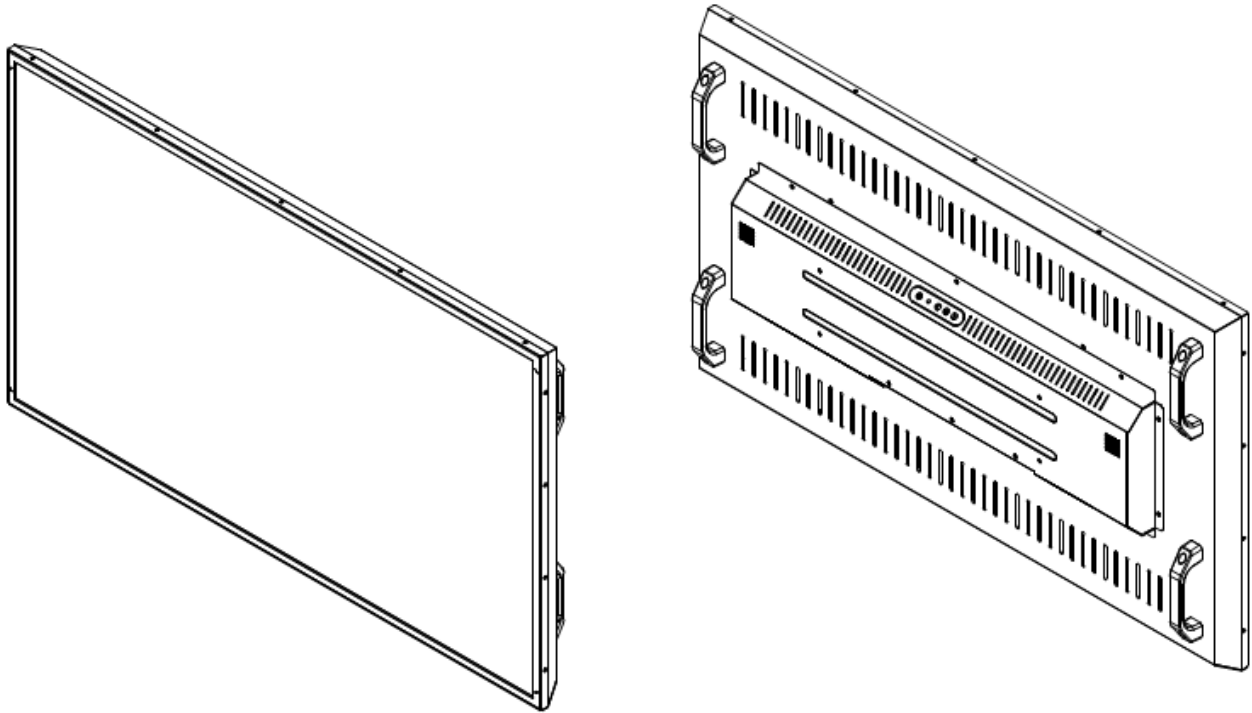


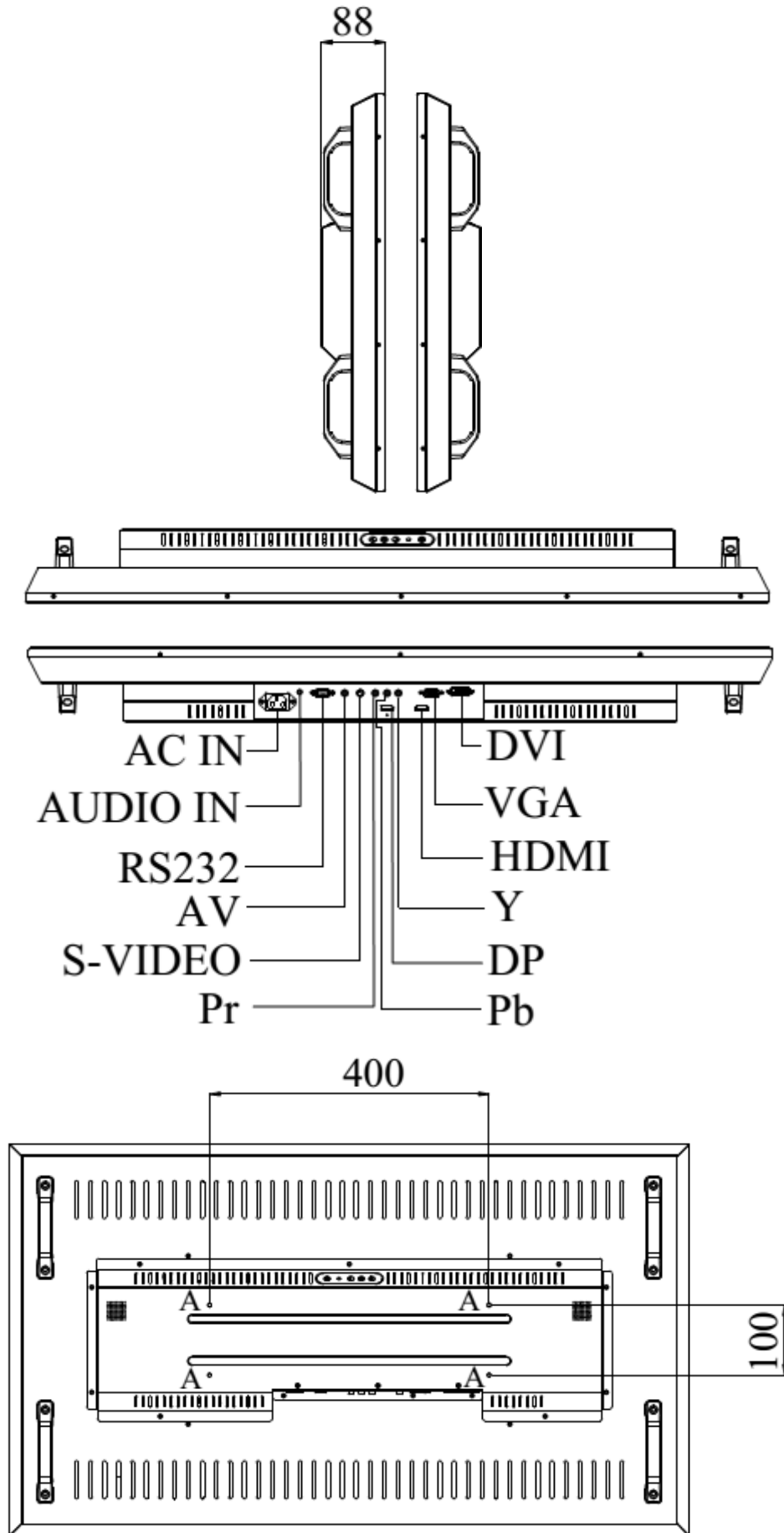
## Mechanical Drawing

Outline Dimensions

Unit:mm

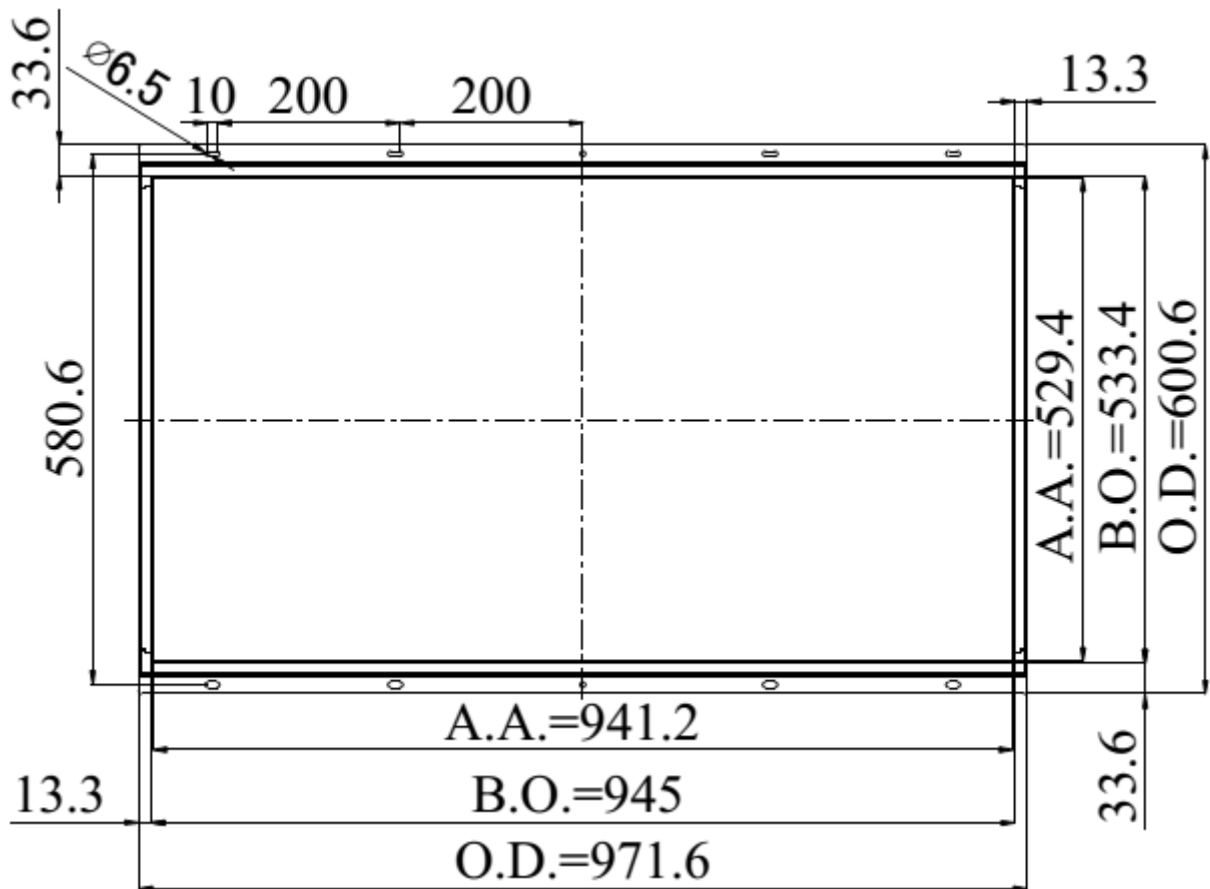
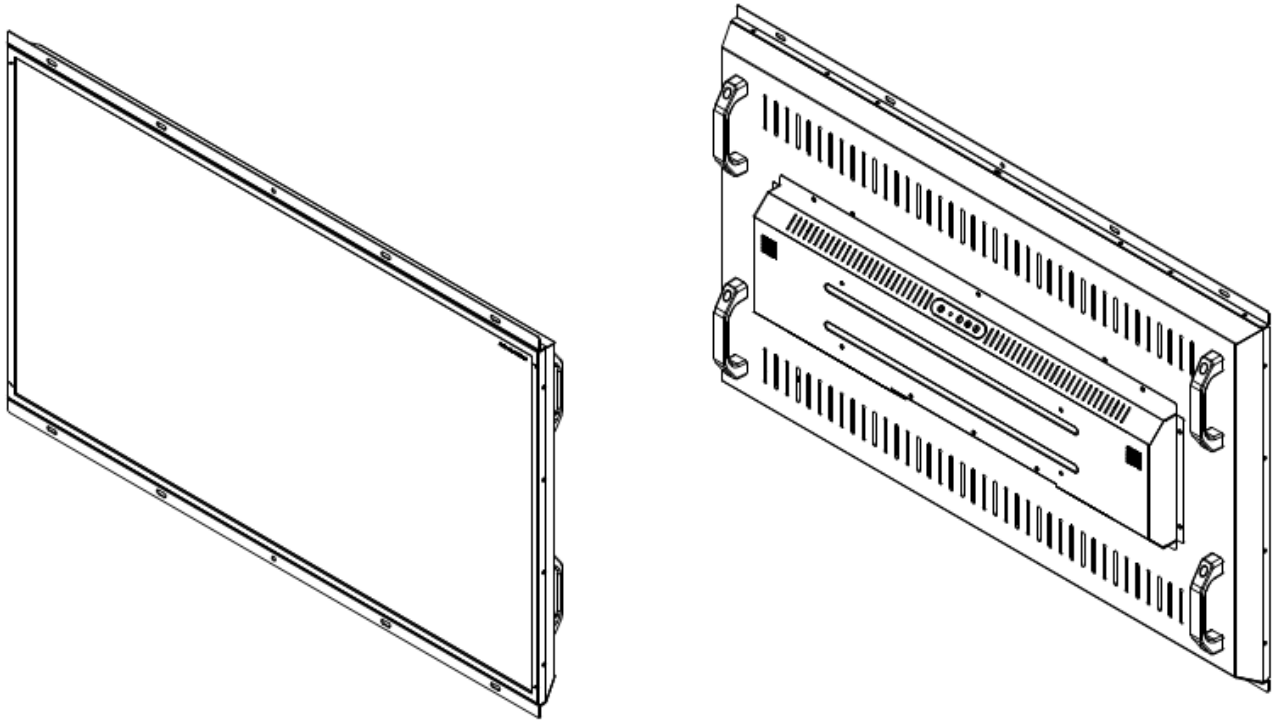
DLD4300-L

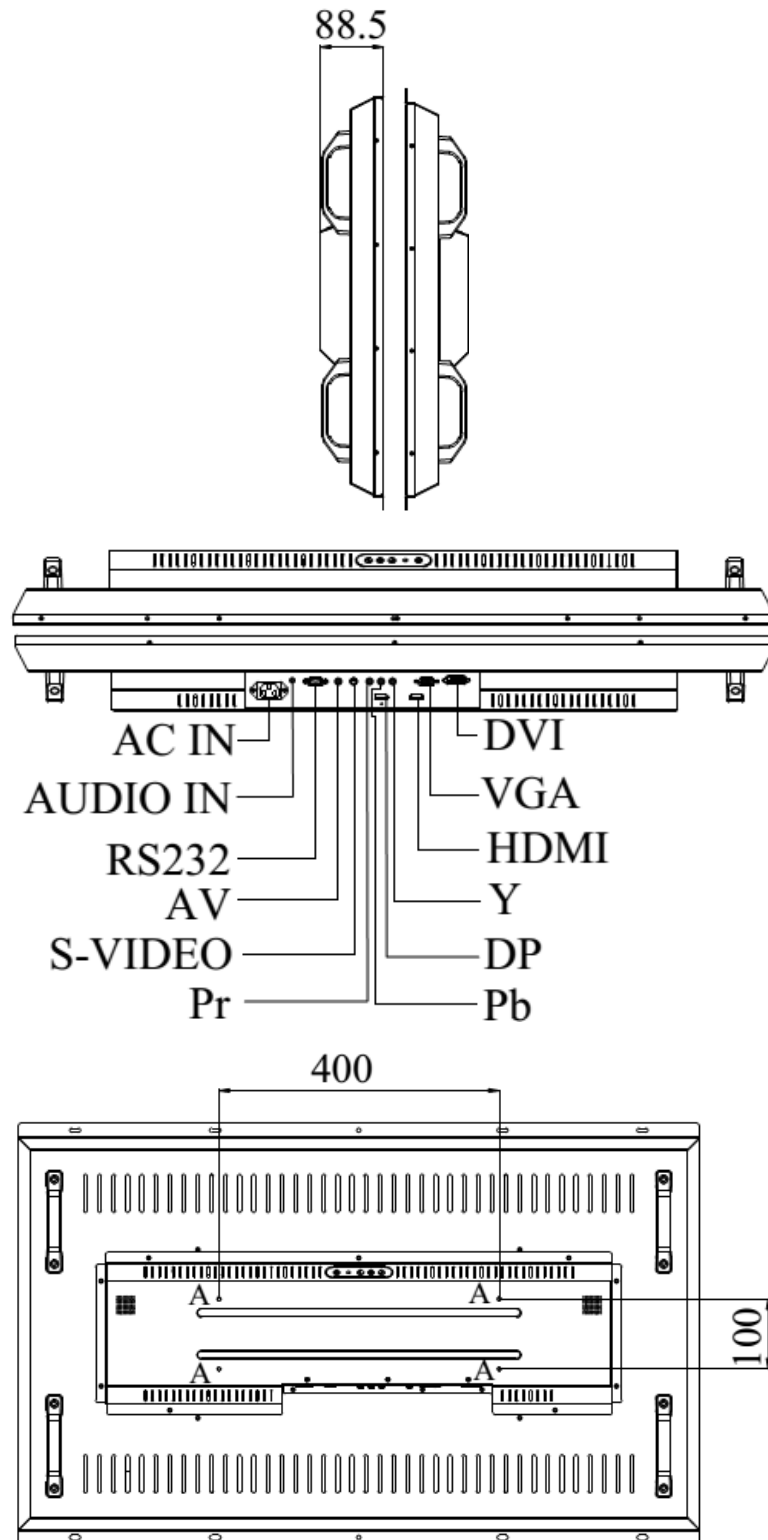






DLO4300-L





NOTE :

O.D. : OUTLINE DIMENSION

B.O. : BEZEL OPENING

A.A. : LCD ACTIVE AREA

A : 4-M6\_USER HOLE\_MAX. DEPTH=6 mm



### Ordering Information

Part Number	Description
DLD4300-LNB-J01	43" ,2500nits,FHD,LID43A,AD5827GDHP,O/B,Speaker*2,AC100~240V,V1
DLO4300-LNB-J01	43" ,2500nits,FHD,LID43A,AD5827GDHP,O/B,Speaker*2,AC100~240V,V1

### Optional Accessories

Part Number	Description
810618301010	CABLE.POWER.AC.1830mm USA type
810618301090	CABLE,POWER,AC,1830mm Europe type
810618301050	CABLE.POWER.AC.1830mm UK type
810618301170	CABLE.POWER,AC,1830mm Australia type
810618301031	CABLE.POWER.AC.1830mm Japan type

### Customer request

Glass	Tempered glass, AR coating.....