

Datasheet

mSATA

3TE7 series

- mSATA SATA III solution for industrial field
- High IOPS
- iSMART disk health monitoring
- AES-256 encryption
- iPower Guard for protecting unstable start up and shut down.
- iData Guard for abnormal power failure
- DEVSLP supported



Introduction

Innodisk mSATA 3TE7 is SATA III 6.0 Gb/s flash based disk, which adopts latest SATA III NAND controller with Innodisk's exclusive L³ FW architecture. The upgraded L³ FW architecture, combining Innodisk signature 4K mapping algorithm L² FW architecture with powerful LDPC technology, makes 3TE7 series have outstanding high IOPS, better data integrity and extended lifespan through reducing the bad block number happening. Built-in thermal sensor and iData Guard ensure data integrity and reliability of mSATA 3TE7 for industrial applications.

innodisk

www.innodisk.com

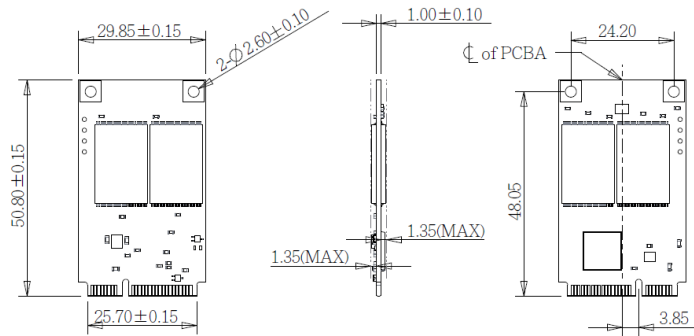
(ES) Equipements Scientifiques SA - Département Modules & Systèmes Informatiques - 127 rue de Buzenval BP 26 - 92380 Garches
Tél. 01 47 95 99 80 - Fax. 01 47 01 16 22 - e-mail: msi@es-france.com - Site Web: www.es-france.com

mSATA SSD 3TE7 series

Diagram

Contact us for more information about the mSATA 3TE7.

Innodisk is a service-driven provider of industrial embedded flash and DRAM storage products and technologies, with a focus on the industrial/embedded, aerospace and defense, and cloud computing industries.



TOLERANCE: ± 0.15 mm
UNIT: mm

Specifications

Interface	SATA III
Flash Type	3D TLC
Capacity	32GB~1TB
Max. Channels	4
Sequential R/W (MB/sec, max.)*	560 / 330 MB/s
4KB Random (QD32) R/W (IOPS)**	85,000/70,000
Max. Power Consumption	TBD
Thermal Sensor	√
External DRAM Buffer	-
H/W Write Protect	Optional
AES encryption	√
ATA Security	√
S.M.A.R.T.	√
DEVSLP Mode	√
Dimension (WxLxH)	29.85 X 50.8 X 3.7 mm
Environment	Vibration: 20G @ 7~2000Hz Shock: 1500G @ 0.5ms Storage Temperature: -55°C ~ +95°C MTBF: 3 million hours
* Performance based on CystalDiskMark 5.1.2 with file size 1000MB	

Headquarters (Taiwan)

5F., No.237, Sec. 1, Datong Rd., Xizhi Dist., New Taipei City, Taiwan (R.O.C.)
Tel: +886-2-77033000
Email: sales@innodisk.com

Branch Offices:

USA
usasales@innodisk.com
+1-510-770-9421
Europe
eusales@innodisk.com
+31-40-3045-400
Japan
jpsales@innodisk.com
+81-3-6667-0161
China
sales_cn@innodisk.com
+86-755-21673689
www.innodisk.com

© 2018 Innodisk Corporation.
All right reserved. Specifications are subject to change without prior notice.

20180925

Ordering Information (Please refer to TPS for detail)

Operation Temp.	32GB	64GB	128GB	256GB	512GB	1TB
Standard Grade (0°C ~ +70°C)	DEMSR-32GDK1EC1SF	DEMSR-64GDK1EC1DF	DEMSR-A28DK1EC1QF	DEMSR-B56DK1EC1QF	DEMSR-C12DK1EC1QF	DEMSR-01TDK1ECAQF
Industrial Grade (-40°C ~ +85°C)	DEMSR-32GDK1EW1SF	DEMSR-64GDK1EW1DF	DEMSR-A28DK1EW1QF	DEMSR-B56DK1EW1QF	DEMSR-C12DK1EW1QF	DEMSR-01TDK1EWAQF

innodisk

www.innodisk.com

(ES) Equipements Scientifiques SA - Département Modules & Systèmes Informatiques - 127 rue de Buzenval BP 26 - 92380 Garches
Tél. 01 47 95 99 80 - Fax. 01 47 01 16 22 - e-mail: msi@es-france.com - Site Web: www.es-france.com