

SBC Series

PRODUCT SERIES OVERVIEW

Small Step Size, Low Phase Noise Frequency Synthesizer

10 MHz to 8 GHz (In-Bands)

FEATURES

- Fine Resolution Design (Step Sizes down to 1 Hz)
- Broadband Designs Available (up to 3 Octaves)
- Low Phase Noise
- Ultra-Low Spurs
- Programmable Frequencies to 8 GHz
- Optional Internal Reference



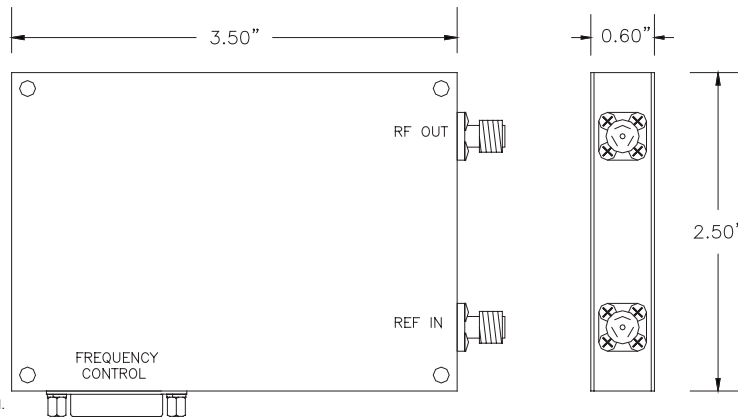
Custom Designs Available

SPECIFICATIONS

Frequency Range.....	10 MHz to 8 GHz	Phase Noise (dBc/Hz)	4000 MHz	8000 MHz
Bandwidth.....	up to 3 Octaves	1 KHz Offset	<-99	<-92
Step Size	1 Hz to 100 KHz	10 KHz Offset	<-105	<-95
External Reference.....	5 to 200 MHz	100 KHz Offset	<-105	<-95
Internal Reference (Optional)	± 2.5 ppm, Stability	1 MHz Offset.....	<-123	<-120
Power Output.....	up to +10 dBm	Temperature Ranges (Operating)		
Harmonics	<-15 dBc	Standard.....	0°C to +50°C	
Spurs	<-60 dBc	Other Available Ranges.....	-20°C to +60°C	
Supply Options	+5, +8, +12 VDC	-30°C to +70°C	
Current.....	≤ 800 mA	-40°C to +85°C	
Package Size.....	3.5" x 2.5" x 1"	Programming Interface	3-Wire, Serial	
.....	(88.9 x 63.5 x 25.4)mm			

Note: All specifications are typical unless otherwise specified and subject to change without notice. Not all performance parameters are available in combination with certain specifications. E.G. Not all power output levels are available at all frequency ranges.

PACKAGE OUTLINE



Notes:
 1. All dimensions are in inches unless otherwise specified.
 2. Diagrams and pictures shown are examples only.

SBC Series_Product Overview Datasheet, Rev A, 8.9.12

EM Research™
 The Ultimate Source for Miniature Frequency Synthesizers

(ES) Equipements Scientifiques SA - Département RF & Hyperfréquences - 127 rue de Buzenval BP 26 - 92380 Garches
 Tél. 01 47 95 99 60 - Fax. 01 47 01 16 22 - e-mail: msi@es-france.com - Site Web: www.es-france.com