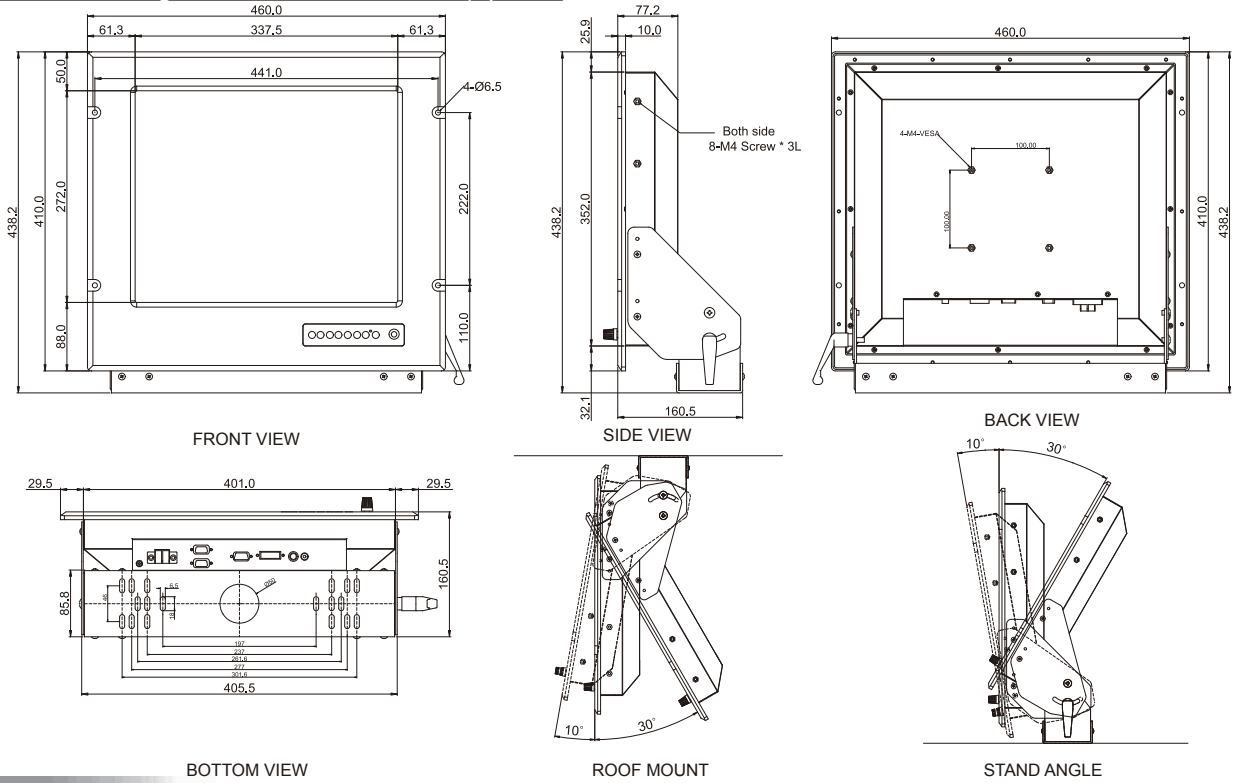




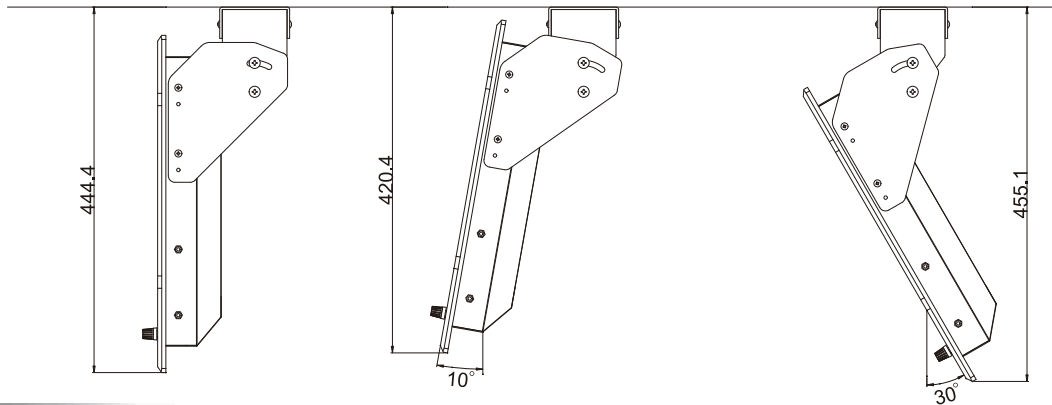
17" Marine Bridge System Display

Model # R17L500-MRM1

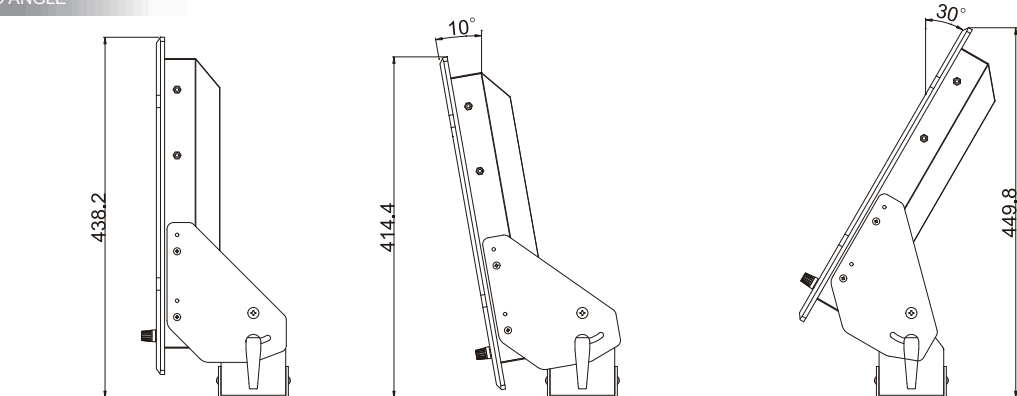
Mechanical Design with Robust Bracket (option)



ROOF MOUNT



STAND ANGLE



All Dimensions are ± 0.5 mm

* Note: this is a simplified drawing and some components are not marked in detail. Please contact our sales representative if you need further product information.

Rev.	Reasons	Revised Date
1.0	First release *	Apr-12-10
1.1	Spec change	Jun-02-10
1.2	Spec change	Jun-06-13