

FEATURES

- Internal / External Reference Detect Switch
- Standard Internal TCXO (± 2.5 ppm, Stability)
- Optional Internal OCXO (± 90 ppb, Stability)
- Fixed-Frequencies to 100 MHz



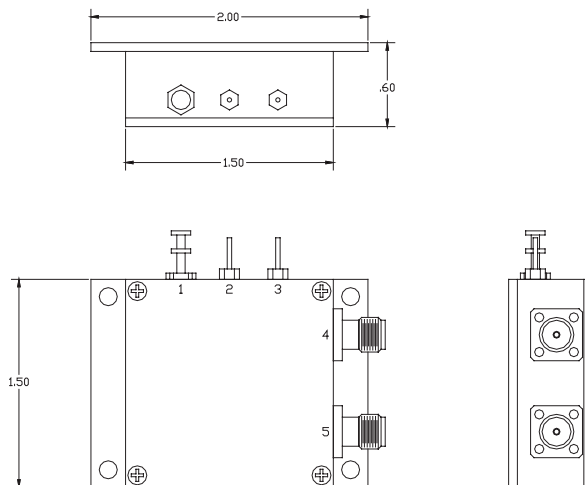
Custom Designs Available

SPECIFICATIONS

Frequency.....	10 to 100 MHz	Phase Noise (dBc/Hz), Internal Ref. 10 MHz	
External Reference.....	10 to 100 MHz	100 Hz Offset.....	<-150
Internal References Available		1 KHz Offset	<-155
Standard (TCXO)	≤ 2.5 ppm, Stability	10 KHz Offset	<-160
Optional (OCXO).....	$\leq \pm 90$ ppb, Stability	100 KHz Offset	<-160
Power Output.....	up to +10 dBm	Temperature Ranges (Operating)	
Harmonics	<-15 dBc	Standard.....	0°C to +50°C
Spurs	<-60 dBc	Other Available Ranges.....	-20°C to +60°C
Supply Options	+5, +8, +12 VDC	-30°C to +70°C
Current.....	≤ 200 mA	-40°C to +85°C
Package Size.....	1.5" x 1.5" x 0.6"		
.....	(38.1 x 38.1 x 15.2)mm		

Note: All specifications are typical unless otherwise specified and subject to change without notice. Not all performance parameters are available in combination with certain specifications. E.G. Not all power output levels are available at all frequency ranges.

PACKAGE OUTLINE



Notes:
 1. All dimensions are in inches unless otherwise specified.
 2. Diagrams and pictures shown are examples only.

RDS Series_SMA_Product Overview Datasheet, Rev B, 10.19.12